

# Transformer operations

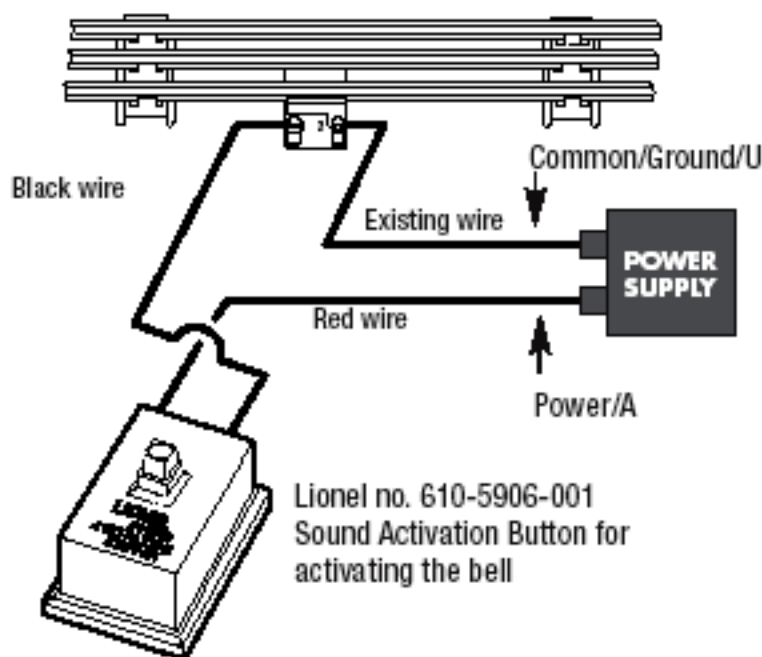
## Installing a Lionel Sound Activation Button

To activate the bell and whistle sounds when operating your locomotive with conventional transformers, you may need to install Lionel no. 610-5906-001 Sound Activation Buttons (available separately) if your transformer is not equipped to activate

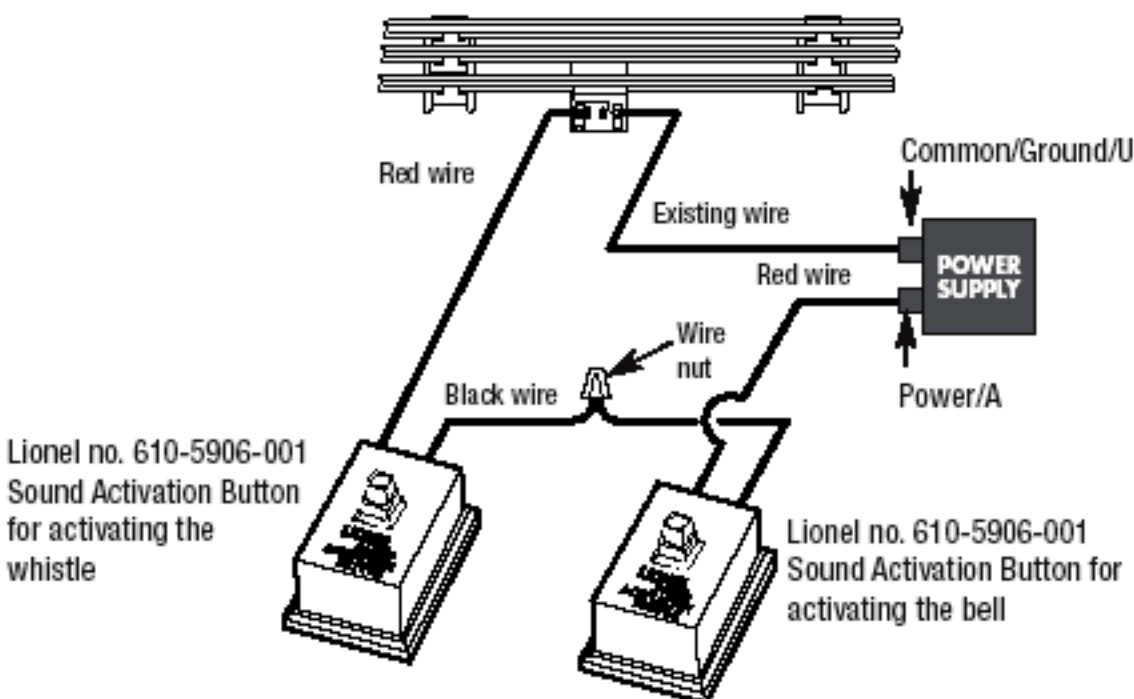
these features. Connect the button(s) as shown below.

**Note!** All track power must feed through the Sound Activation Buttons. Do not bypass the buttons.

### For AC transformers lacking a bell button



### For AC transformers lacking bell and horn/whistle buttons



**Note!** The no. 610-5906-001 button works with any Lionel AC transformer except no. 6-4690 Type MW. Transformers made by other manufacturers may not be compatible with the RailSounds sound system.